

QD65A

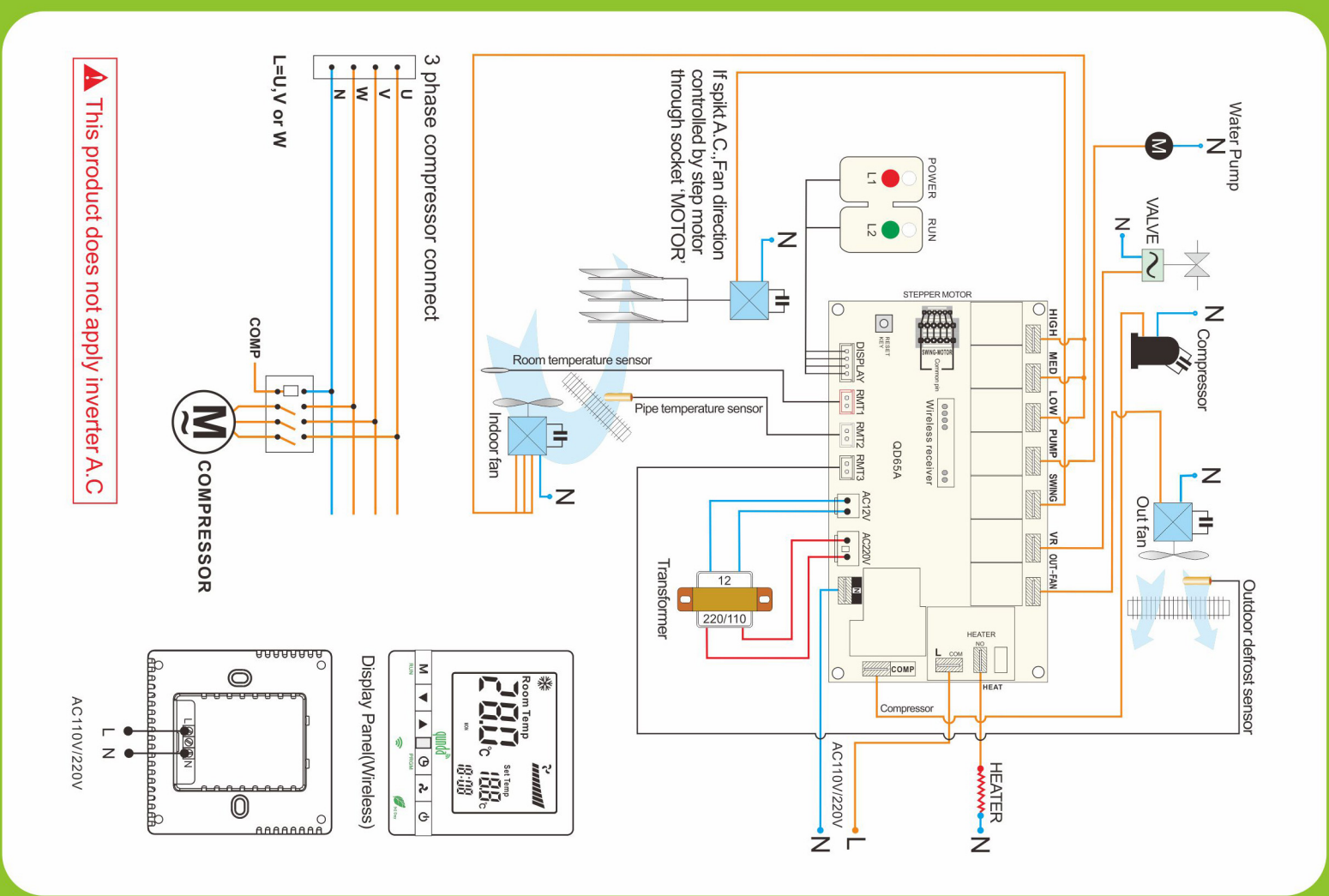
- Being programmable : compressor restart time, setting temperature range etc
- 5+2 days programmable week timer setting
- Wireless connection
- 86 type display panel
- Working within 50 meters (without obstacles)
- Applicable to split unit, floor-standing A/C and ceiling A/C.
- Double sockets design for stepper motor.
- Password protection functions for the parameter
- Modes: auto, cooling, dry, ventilation and heating.
- Three sensors for room temperature, indoor pipe and outdoor pipe
- Two ways for the swing : stepper motor and AC motor
- High-power electrical heating
- Prevent cold air in the heating mode
- Sleep function
- Outdoor fan is controlled independently
- Restart automatically after power recovery

NO W-E-00044

WIRELESS PROGRAMMABLE UNIVERSAL AIR CONDITIONER CONTROLLER

QD65A

1. Make sure there is no strong light in front of the IR receiver.
 2. The stepper motor output socket (swing) is the one with six sockets, and the common port is on the two sides. The plug of common port for the fan has to be inserted into the common port of output socket for the stepper motor. If the motor works in the wrong direction, insert the plug of the common port for the fan into the other common port of the output socket for the stepper motor.



QD65A

WIRELESS PROGRAMMABLE UNIVERSAL AIR CONDITIONER CONTROLLER



MADE IN CHINA



qunda Controller
Expert

WIRELESS PROGRAMMABLE
UNIVERSAL AIR CONDITIONER CONTROLLER

QD65A

- System parameters are programmable
- 5+2 days: programmable
- Wireless connection between the display panel and PCBA board



qunda Controller
Expert



Please install by certificated technician.
 Please test the system before installation.
 Please avoid strong light before IR receiver