

Fittings	
Name	Quantity
PCB	1
Displayer	1
Transformer	1
Sensor	2
Remote	1
Terminal	1
Instruction	1

Optional Accessory	
Start capacitor for indoor fan	
<input checked="" type="checkbox"/>	1.5 μ F
<input type="checkbox"/>	1.2 μ F
<input type="checkbox"/>	No

For our product the standard-equipped capacitor is a 1.5 μ F start capacitor. The customer can order the control system with a 1.2 μ F start capacitor or without a capacitor at all. Please inform us of your specific requirement when placing an order.

QD55PIR

- PIR function
- Temperature display
- Power off memory function
- Special socket design for starting capacitor.
- AUTO defrost
- Sleep function
- Outdoor fan controlled independently
- Unique one key for 26°C environmental comfort cooling mode.

NO.W-E-00057-V1

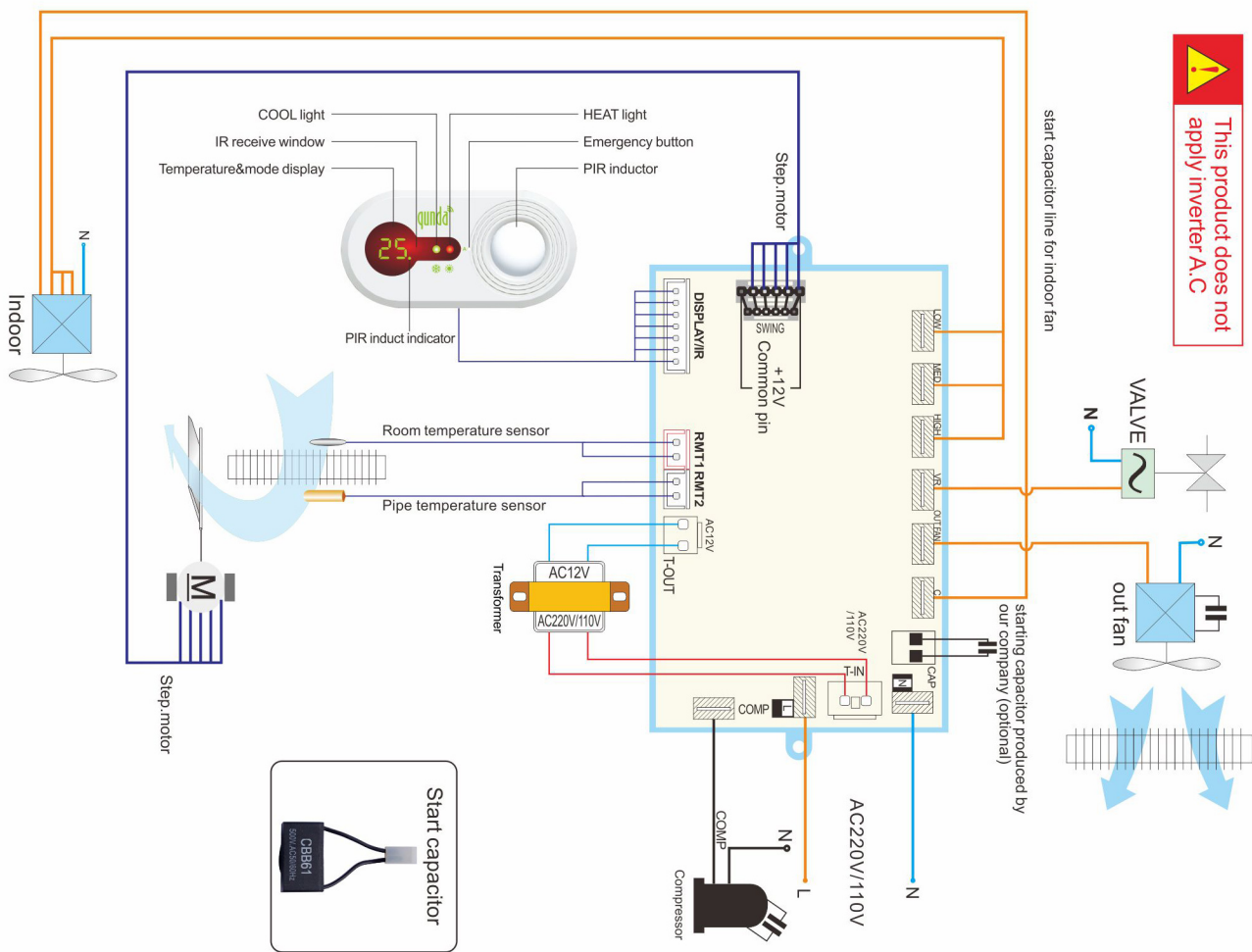
INTELLIGENT
Universal A/C Control System

QD55PIR

1. Make sure there is no strong light in front of the IR receiver.
2. The stepper motor output socket (swing) is the one with six sockets, and the common port is on the two sides. The plug of common port for the fan has to be inserted into the common port of output socket for the stepper motor. The plug of the other side of the common port for the fan has to be inserted into the other common port of the output socket for the stepper motor.

Notice:

- Please aim the PIR receiver at places where people are around.
- The inductor cannot work right in the sun light, car light and lamp directly. And you cannot aim it at the heating source (such as radiator and heater) or A/C, in case the great temperature difference affect the detecting result.
- The customer can choose the starting capacitor for indoor fan produced by our company.
- The original starting capacitor and to ensure the fan speed is identical with that of the original.



QD55PIR
INTELLIGENT
Universal A/C Control System



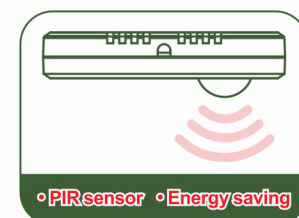
MADE IN CHINA

qunda Controller Expert

INTELLIGENT
Universal A/C Control System

QD55PIR

- It can detect human motion and regulate air energy-savingly
- Restart function after power failure
- Outdoor fan controlled independently



qunda Controller Expert

⚠ Please install by certificated technician.
Please test the system before installation.
Please avoid strong light before IR receiver.