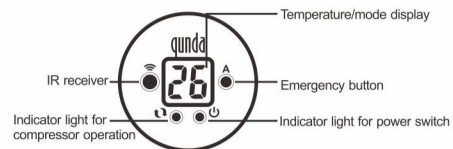


Attention: After the compressor shuts down, there will be 3 more minutes to restart.

1. Display panel description



Display in temperature area: "RU" (AUTO mode) "d" (dry mode) "FR" (ventilation mode)
In cooling/heating mode, using remote controller to adjust the temperature, the display panel will show the flashing setting temperature within 5 seconds, other time it shows room temperature.

2. Other description

IR receiver: To receive the IR order.
Emergency button: Press and hold the button for 3 seconds to turn on the air condition, and repeat the operation to turn off the unit.
Indicator light for compressor operation: When the light is on, it means the compressor is working. When the light is off, it means the compressor stops.

3. Error indication

- * E1 *displayed: Coil temperature sensor has a failure.
- * E2 *displayed: Room temperature sensor has a failure.
- * E3 *displayed: Both coil and room temperature sensor have a failure.
- * E4 *displayed: Coil temperature sensor operates protection for overheating.
- * E5 *displayed: Coil temperature sensor operates protection for overcooling.

此处挖洞

Parts list		
Item	Unit	Quantity
PC board	PCS	1
Display panel	PCS	1
Temperature sensor	PCS	2
Accessories	SET	1
Fan motor wire	PCS	1

Available for most original remote controllers:



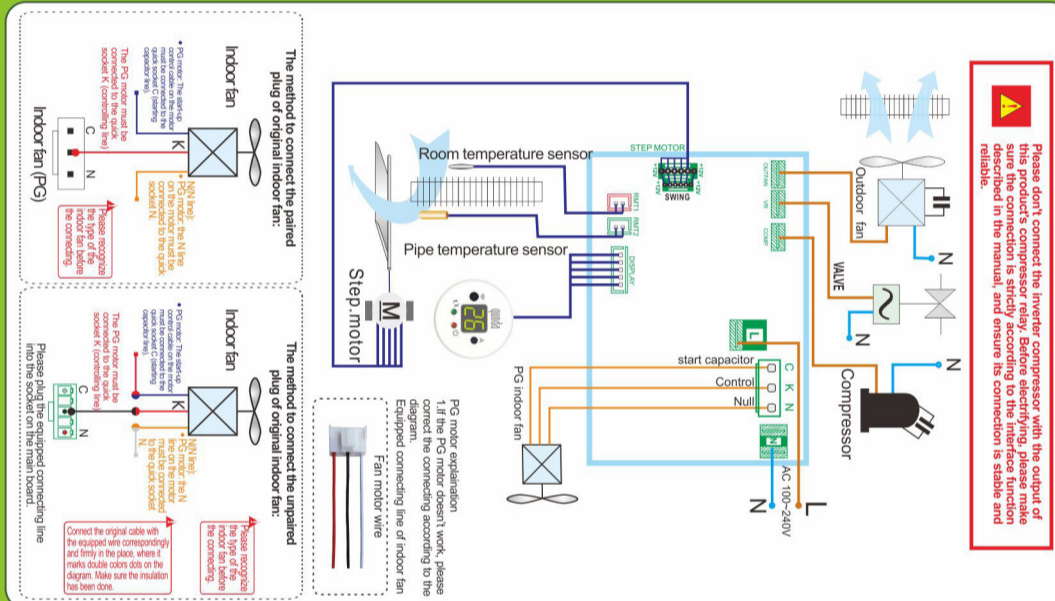
- Compatible with the remote controls from most AC manufacturers.
- With upgraded digital display, it's clear, beautiful and easy to disassemble.
- Outdoor fan controlled independently, defrosting more efficiently.
- With PG motor socket.
- With starting capacitor for fan motor.
- Delayed start for compressor protection.
- Control for high, medium and low wind speed.
- Timer on/off, sleep function.
- Prevent cold air in heating mode.
- Self-diagnosis of failure.
- Double sensors.
- Accurate auto wind function.
- Auto-defrost function.
- Overheat protection for coil.
- Auto-restart function

NO.W-E-00110-V1

UNIVERSAL A/C CONTROL SYSTEM

QD53N

Note:
1. When the compressor is shut off, it needs 3 minutes to restart.
2. Avoid strong light in front of the IR receiver.
3. The common pins of swing socket are +12V output. The common pin of step motor should be inserted into the commons of swing socket.



MADE IN CHINA



UNIVERSAL A/C CONTROL SYSTEM

QD53N

Compatible with 90% original remote controls

Outdoor fan controlled independently, and defrosting efficiently

AC 100-240V

PG motor

Auto-restart function



Please install by certificated technician.
Please test the system before installation.
Please avoid strong light in front of the receiver.

★ Digital display panel ★
Compatible with 90% original remote controls