

QD-U12A

- LCD backlight display, Big screen, High quality
- Interior power indicator for power button, easy to distinguish the main engine working state
- 5 working mode: Auto, Cool, Dry, Ventilation, Heat
- 4 fan speed: High, Middle, Low, Auto

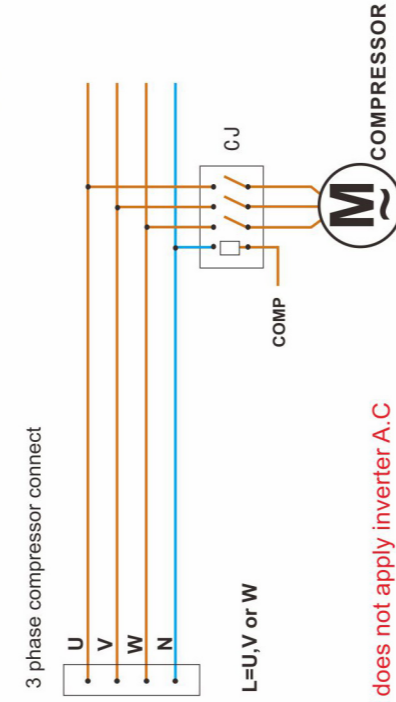
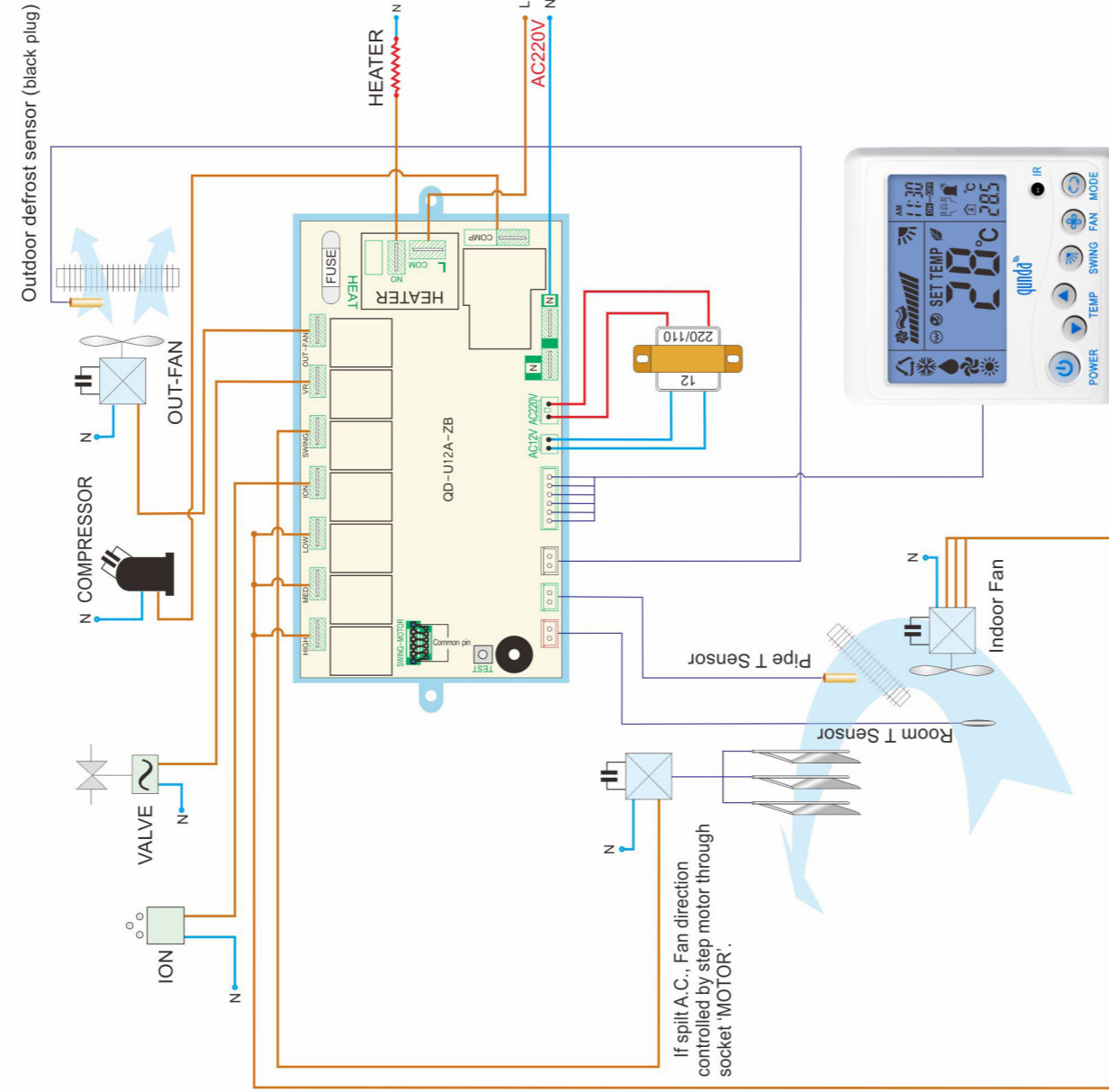
- 3 sensors design: coil pipe protection, precise temperature control, Auto and efficient defrost
- 2 control of air flow direction: automatic and manual
- Auto restart function
- Negative ion control function
- Auxiliary heating function

- Prevent cold wind in heating mode
- Timer InLine/Offline
- Sleep function
- Outdoors fan is controlled independently
- Protective Time-delay for compressor for 3 minutes
- Mandatory start in shutdown state

NO.W-E-00082-V1

UNIVERSAL A/C CONTROL SYSTEM

QD-U12A



⚠ This product does not apply inverter A.C

1. Avoid strong light before IR receiver.
2. It is complex to install outdoor sensor, please contact with our company and buy one more sensor, then it can be used.
3. The common pins of swing socket are 12V output. The common pin of step motor should be inserted into one of the common pins of swing socket. If the direction of step motor is wrong, insert the common pin of step motor to other common pin of swing socket.

RMT3 is an optional part :

- ① It's the most effective way for defrosting that installation with RMT3 instead of the outdoor pipe sensor of your air conditioner.
- ② RMT3 is not necessary if the installation is difficult for you. The system will defrost automatically with RMT2 (the indoor sensor).

Remark: Please do not plug RMT3 into the socket if you cannot sure how to install RMT3 to the outdoor pipe. Otherwise, it will impair the intelligent defrosting.

QD-U12A UNIVERSAL A/C CONTROL SYSTEM



QUNDA Control Technology (Jiangsu) Co., Ltd.
Address: No.888 LongQiao Road, Wuliang District,
Suzhou, China
Post code: 215200 Web site: www.qunda.com



MADE IN CHINA

qunda Controller Expert



UNIVERSAL A/C CONTROL SYSTEM

QD-U12A

- Auto-restart function
- Large LCD display panel
- High production technique



qunda Controller Expert



Please install by certificated technician.
Please test the system before installation.
Please avoid strong light before IR receiver.