

Note: When compressor shut off, it needs 3 minutes to restart.

Manual

Remote control instruction

Mode selection key: Select working mode. When in auto mode, the system will work like heat mode if the room temperature is below 21°C, or work like cool mode if room temperature is up than 27°C.  
 Fan selection key: Select fan speed. The fan speed will be low when in dry mode, or in heat mode but the compressor is shut off, or in heat mode but the compressor working time less than 3 minutes. In auto fan mode, the fan speed will be high if the difference of setting and room temperature big than 4°C, will be low if the difference less than 2°C.  
 Temperature setting keys: Be able to set from 16°C-30°C. It will not response in auto mode or dry mode.

Timer selection key: Select timer on, timer off or no timer.  
 Timer time setting keys: Set 1-16 hours.  
 Swing key: Select swing on or off.  
 Sleep key: Will shut off in 8 hours.  
 Too cool/ Too warm keys: Only effective in auto mode. Be able to adjust the setting temperature 1°C up/down from 25°C when depressing once the key.  
 ON/OFF key: Control on or off.

The display pannel instruction

1: Mode display

POWER ON: Power light on  
 AUTO: Temperature area indicates R/U  
 Cooling: Cooling light is on, temperature area indicates setting and room temperature. When using remote control to set the air conditioner, it will indicate the setting temperature for 5 seconds, then changed to room temperature.  
 Dry: Temperature area indicates d/r  
 Fan: Temperature area indicates F/R  
 Heating: Heating light is on, Temperature area indicates setting and room temperature. When using remote control to set the air conditioner, it will indicate the setting temperature for 5 seconds, then changed to room temperature. When defrosting, temperature area indicates d/F, to point that the air conditioner is defrosting.  
 Power off: All the lights are off.  
 Sleep mode: When the air conditioner is set on sleep mode, Only power light on, the display luminance will be turned down to help user sleep well, the setting temperature will be adjusted automatically, until turned off after 8 hours.  
 Timer on: Timer light on, "ON" is indicated, it points that air conditioner set as timer on.  
 Timer off: Timer light on, temperature directories displays the current mode, it means air-conditioner in OFF-MODE.

2: REMARKS

IR receiver: To receive the IR signal from remote control.  
 Emergency key: Without the remote control, press the key to start the air conditioner. The air conditioner works under cooling mode, setting temperature 25°C, fan speed auto. Press again, the air conditioner works under heating mode, setting temperature 20°C, fan speed auto. Press again to turn off the unit. All are the loop operations.  
 3: The compressor state indication  
 On cooling or heating mode, if the cooling or heating light flashes, it means the air conditioner reaches the setting temperature, or the compressor is under the protection of 3 minutes delay. Current now the compressor stops work. Until the heating light keeps on, it means the compressor start to work.

Error indication

When indoor temperature sensor breaks down, the temperature area displays "E1", please check if the sensor is connected.  
 When pipe temperature sensor breaks down, the temperature area displays "E2", please check if the sensor is connected.

Parts List

Item	Unit	Quantity
PCB	Pcs	1
Display panel	Pcs	1
Temperature sensor	Pcs	2
Remote control	Pcs	1
Connector	Pcs	1
Indoor fan cable	Pcs	1

Optional Accessory

- Start capacitor for indoor fan
- 1.5μF
  - 1.2μF
  - Without starting capacitor

Equipped a 1.2μF starting capacitor. Customer can choose 1.5μF starting capacitor or without starting capacitor. Please let us know your requirement in advance.

Choosing auto restart function

You can choose to use auto restart function or not based on your own environment.  
 • Step 1: When the system is off, press and hold the emergency key Ⓞ for 5 seconds and temperature area indicates "P" symbol  
 • Step 2: Re-press the emergency key Ⓞ to choose using auto restart function or not.  
 At the meantime temperature area will indicates Ⓞ or Ⓞ 1.  
 Ⓞ : means auto restart function is unused.  
 Ⓞ 1 : means auto restart function is used, (the default setting is Ⓞ 1)  
 • Step 3: On need to confirm the setting, the system will save and return the off state after 10 seconds.

QD-U08PGC+(SW)

- Strong switch power, wide voltage AC100-240V 50/60HZ.
- Automatically restart function (optional).
- Universal for both PG and tap motor.
- New digital display panel, easy to disassemble it.
- The outdoor fan controlled independently, efficient defrosting.
- Quick PG plug.
- Optional starting capacitor.
- Luxury remote control.
- One key 26°C healthy mode.
- Double-ports for step motor, convenient to use.
- Timer on/off, sleep function.
- Prevent cold wind on heating mode.
- Failure diagnosis.
- Double sensors.
- Accurate auto fan.
- Auto defrosting.
- Pipe over temperature protection.

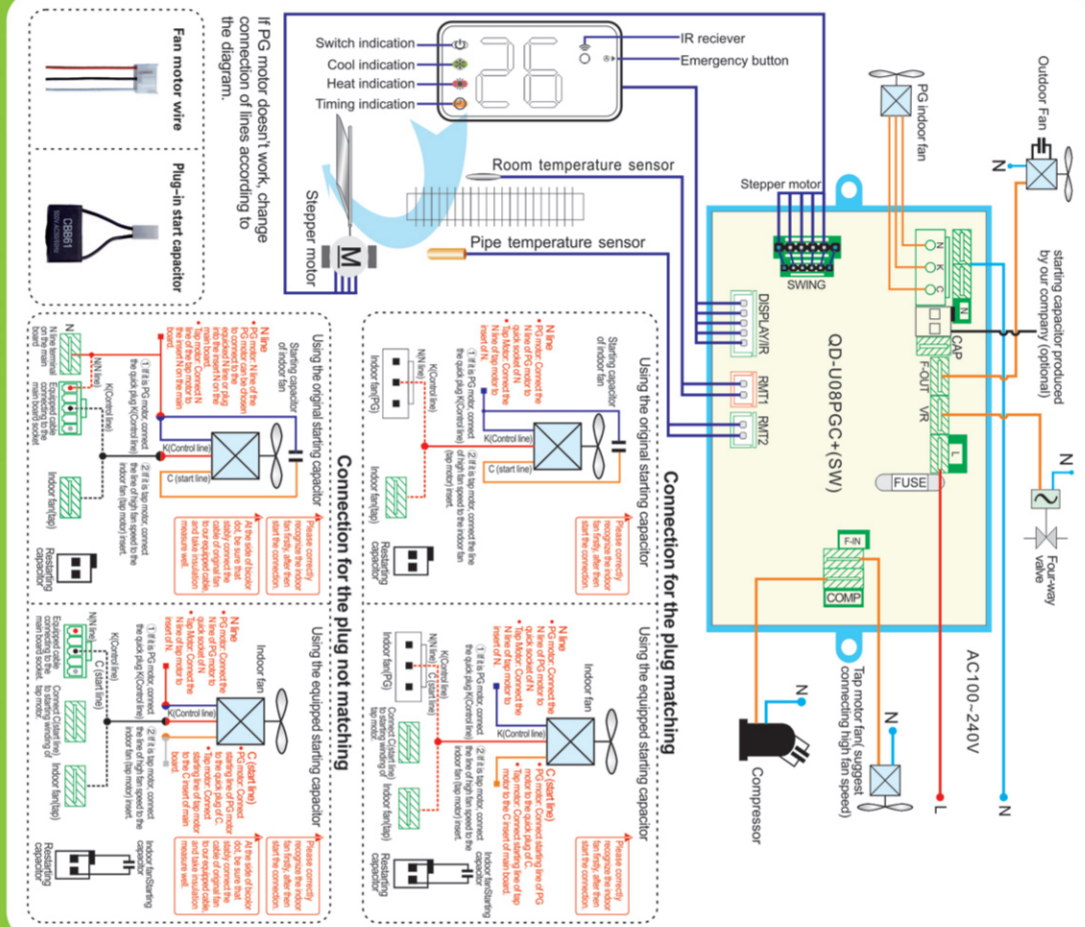
NO.W-E-00128

UNIVERSAL A/C CONTROL SYSTEM

★ Please recognize the indoor fan is PG or tap motor firstly, then start connection.

QD-U08PGC+(SW)

1. If the air conditioner is inverted, please don't directly connect the compressor to the relay on our PCB.
2. Please hire the professional technician to install the unit. Before the installation, be sure to have a power-on test. Any damage result from wrong installation is out of warranty.
3. Outdoor fan of step motor is separated from the motor rotator in the opposite direction, then plug starting motor connection terminal into the other side of step motor output.



QD-U08PGC+(SW)

UNIVERSAL A/C CONTROL SYSTEM

★ Please recognize the indoor fan is PG or tap motor firstly, then start connection.



MADE IN CHINA



UNIVERSAL A/C CONTROL SYSTEM



Auto restart function (optional)

QD-U08PGC+(SW)

- Switch power
- PG+ tap motor
- Bigger LED display

- ★ Please recognize the indoor fan is PG or tap motor firstly, then start connection.
- ★ Equipped one cable of PG motor and one pluggable starting capacitor.



QD-U08PGC+(SW)

⚠ Please install by certificated technician. Please test the system before installation. Please avoid strong light before IR receiver.